

Fluke 180 Series Digital Multimeters

Features

- [Features at a Glance](#)
- [ToolPak™](#)
- [LockPak™](#)
- [FlukeView® Forms Software](#)
- [Safety Features](#)
- [Lifetime Warranty](#)

Features at a Glance



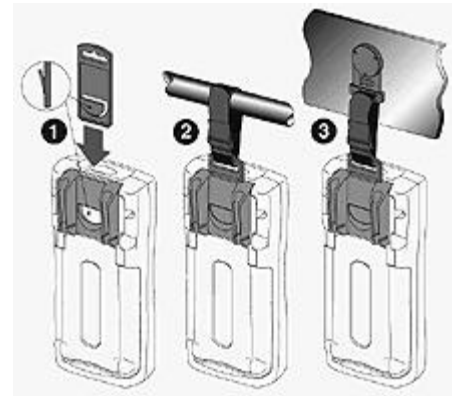
- • Basic DC accuracy of 0.025%.
- • 50,000-count primary display for high resolution measurement readings.
- • MIN/MAX/AVERAGE time-stamped with a real-time clock for enhanced troubleshooting.
- • Temperature measurements in °C and °F using optional K-type thermocouple.
- • Stand-alone logging to internal memory of up to 3 days of measurement changes.
- • Use optional FlukeView® Forms software for further data analysis, custom documentation and PC logging.
- • True-rms AC, AC + DC
- • 100 kHz ac Bandwidth
- • dBm, dBV
- • Duty Cycle/Pulse Width
- • Battery and Fuse Access Door
- • Two Level Backlight
- • 250 μ Fast MIN MAX

Note: The Fluke 83-III, Fluke 85-III, and Fluke 87-III are also

available.

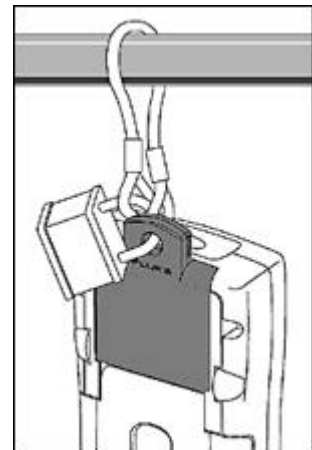
ToolPak™

Hang your Fluke 180 Series meters by a magnet or strap hanger with the optional [ToolPak™](#) accessory.



LockPak™

Lock your Fluke 180 Series meters in place with the optional [LockPak™](#) accessory.

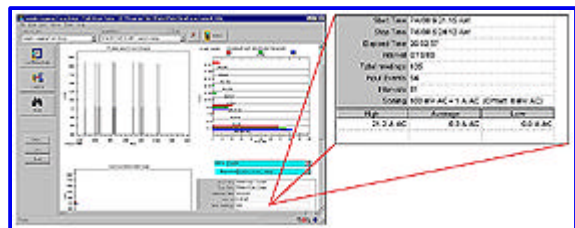


FlukeView® Forms Software

FlukeView® Forms Software is the easy way to document, store and analyze measurements from your Fluke Digital Multimeter. Use it with:

Fluke 187 & 189 Digital Multimeters (Model FVF-SC2)
Fluke 87-IV & 89-IV Digital Multimeters (Model FVF-SC1)
Fluke 53-II & 54-II Thermometers (Model FVF-SC1)

Now you can get the professional looking documents you need and data analysis that is much more in-depth than from a meter alone. FlukeView Forms records, charts and graphs data to help you perform in-depth analysis.



And it's so easy to use. FlukeView Forms comes with both standard and customizable forms. You can use them immediately or customize the format to fit your specific applications. Once your form is standardized, it can be easily used by less trained staff. If you prefer another brand of measurement analysis software, FlukeView Forms can easily port your data to the program of your choice.

Safety Features

What the IEC 1010-1 safety standard means to you

As electrical systems grow more and more complex, spikes, transients, surges, and sudden overvoltage events become more common. These can trigger a sequence of events that may lead to serious injury. Which is why test equipment must be designed to protect people who work in this

high-voltage high-current environment.

The IEC 1010 safety standard was established to define four overvoltage categories (CAT I, CAT II, CAT III, and CAT IV) based on the magnitude of danger from transient impulses.

The new Fluke 180 Series DMMs feature enhanced protection to IEC 61010 overvoltage category III for voltages up to 1000V and Category IV for voltages up to 600V. This helps protect from transients in three-phase distribution systems, including:

- Single-phase commercial lighting.
- Equipment in fixed installations, such as switch gear and polyphase motors.
- Bus and feeder in industrial plants.
- Lighting systems in larger buildings.
- Appliance outlets with short connections to the service entrance.

Lifetime Warranty

Now when you purchase a Fluke digital multimeter, not only do you get a test tool known for its unsurpassed quality, reliability, accuracy, and ruggedness, you also get a [Lifetime Warranty](#) with most models. That means for as long as the original purchaser owns the product, Fluke will repair or replace the meter according to the conditions specified in the warranty.



The following meters include lifetime warranties:

- Fluke 180 Series
- Fluke 80 Series III
- Fluke 70 Series II and 70 Series III
- Fluke 20 Series II and 20 Series III
- Fluke 25 and 27

Fluke 180 Series Digital Multimeters Models, Options & Accessories

Model Name	Product Description
Fluke 187 & 189	<p>True rms Digital Multimeter includes: Hardware Users Manual 4 AA Batteries Silicone Test Leads (TL71)</p> <p>Toolpack: Probe holder</p> <p>Supplemental Material: Registration Card Cal Practices Document CD-ROM Users' Manual (16 languages) Getting Started Manual Calibration Certification Sheet</p>

Available Accessories and Options

Fluke 180 Series Digital Multimeters	
Model Name	Accessory or Option Description
80AK	Thermocouple Adapter
80i-400	AC Current Clamp
80K-40	High Voltage Probe (DC only)
80K-6	High Voltage Probe (DC only)
80PK-1 80PJ-1	General Purpose Bead Probes
80PK-2A	K-Type Immersion Probe (Requires 80TK Thermocouple Module)
80PK-3A	K-Type Flat Surface Probe (Requires 80TK Thermocouple Module)

<u>80PK-4A</u>	K-Type Air Probe (Requires 80TK Thermocouple Module)
<u>80PK-5A</u> <u>80PT-5A</u>	Piercing Probes
<u>80PK-6A</u>	K-type Exposed Junction Probe (Requires 80TK Thermocouple Module)
<u>80PK-7</u>	K-Type Industrial / Heavy Duty Surface Probe (Requires 80TK Thermocouple Module)
<u>80PK-8</u>	K-Type Probe Pipe Clamp Temperature Probe 80PK-8 (Requires 80TK Thermocouple Module)
<u>80PK-9</u> <u>80PJ-9</u>	General Purpose Probes
<u>80PK-EXT</u>	Extension Wire Kit
<u>80PK-IR</u>	Infrared Temperature Probe
<u>80T-150U</u>	Universal Temperature Probe
<u>80T-IR</u>	Non-Contact Infrared Temperature Probe
<u>80TK</u>	Thermocouple Module
85RF	High Frequency Probe, 500 MHz
<u>C100</u>	Universal Carrying Case
<u>C25</u>	Soft Case DMM with Holster
<u>C510</u>	Leather Meter Case
<u>C530</u>	Leather Accessory Case
<u>C550</u>	Tool bag
<u>C90</u>	Soft Case DMM
<u>FOM</u>	Fiber Optic Meter includes an optical power meter, two multimode ST-ST patch cables, one multimode ST-ST adapter, instruction sheet and instrument case.
FVF-SC2	<u>FlukeView Forms 1.5 Software</u> with cable for Fluke 180 Series.
<u>i-1010</u>	Clamp-on AC/DC Current Probe
<u>i-410</u>	Clamp-on AC/DC Current Probe
<u>i200</u>	AC Current Clamp
<u>i200S</u>	AC Current Clamp
<u>LPACK</u>	LockPak
<u>TL20</u>	63" Test Lead Set
<u>TL22</u>	63" Right Angle Silicone Test Lead Set
<u>TL23F</u>	Electrical Test Lead Set
<u>TL23R</u>	Electrical Test Lead Set
<u>TL24</u>	63" Right Angle/Straight Silicone Test Leads

TL26A	60" 5-Way Test Lead Set
TL28A	63" Alligator Clip Test Lead Set
TL71	Premium DMM Test Lead Assembly
TL74	4 mm Diameter Test Leads
TL75	48" Hardpoint Test Lead Set
TPACK	ToolPak
Y8140A	48" Slim Flex Test Lead Set

Fluke 180 Series Digital Multimeters

Primary Digital Display	50,000 Count
Analog Display	51 Segment Bargraph
IEC 61010 Rating	CAT III - 1000V / CAT IV - 600V
DCV	Maximum Voltage: 1000V Accuracy: $\pm (0.025\%)$ Maximum Resolution: 0.001 mV
ACV (Trms)	Maximum Voltage: 1000V Accuracy: $\pm (0.4\%)$ Maximum Resolution: 0.001 mV
DC Current	Maximum Current: 10A Accuracy: $\pm (0.15\%)$ Maximum Resolution: 0.01 μ A
AC Current (Trms)	Maximum Current: 10A Accuracy: $\pm (0.75\%)$ Maximum Resolution: 0.01 μ A
Resistance	Maximum Resistance: 500 MW Accuracy: $\pm (0.05\%)$ Maximum Resolution: 0.01 W
Capacitance	0.01 nF - 50,000 μ F
Frequency	0.5 Hz to 1000 kHz
Temperature in °C and °F (using optional K-type thermocouple)	-200°C to 1370°C