

# VIEW5 PRO

**BELIEVE YOUR EYES**

## SMART CORE ALIGNMENT FUSION SPLICER W/ A CLOUD-BASED OPERATION & MANAGEMENT SYSTEM

- Built-in IoT Module for Mobile Data Communication
- Web-based, Real-time Operation System
- Core Alignment Splicing with DACAS Profiling System
- The Highest Magnification and Resolution
- 5" Color LCD Touch Screen
- Double Tapping ( Zoom in & Out )
- Fast Heating Time
- Detachable SOC Holder and Heating Oven
- 3 Bright LEDs for Dark Environment
- User Friendliest Interface with Built-in Videos



### CLOUD MANAGEMENT SYSTEM FEATURES



**REAL-TIME TRACKING**



**REPORT & DATA MANAGEMENT**



**JOB & WORK MANAGEMENT**



**DEVICE MANAGEMENT**



You dream,  
we **DESIGN**

# DESCRIPTION

VIEW5 PRO, a core-alignment splicer with the world's highest fiber image magnification rate, is the most proficient fusion splicer in the market. VIEW5 PRO's 5 inch high-resolution color LCD touch screen with user-friendly intuitive GUI (Graphic User Interface) offers large and clear fiber images to users. By double-tapping the screen, users can Zoom In & Out the image to the world's highest magnification of 520x.

The fusion splicer is equipped with built-in IoT module that connects to the INNO's View Pro Cloud Management System for real-time operation and management online. This innovative cloud-based solution is designed to create the most advanced and yet most uncomplicated splicing and work experiences ever.

## View Pro Cloud Management System

View Pro Management System is an integrated cloud-based software platform for INNO's splicers. This innovative web-based application allows both technicians and managers of the splicers to maximize the use of its assets and to achieve the highest work efficiency. Real-time communications with tiered access rights and options to manage job orders, manage splicing machines, and send/receive reports are only a small part of the innovative work processes offered by the View Pro.



## FEATURES



**view Pro**  
Real-Time Tracking



**view Pro**  
Report & Data Management



**view Pro**  
Device Management



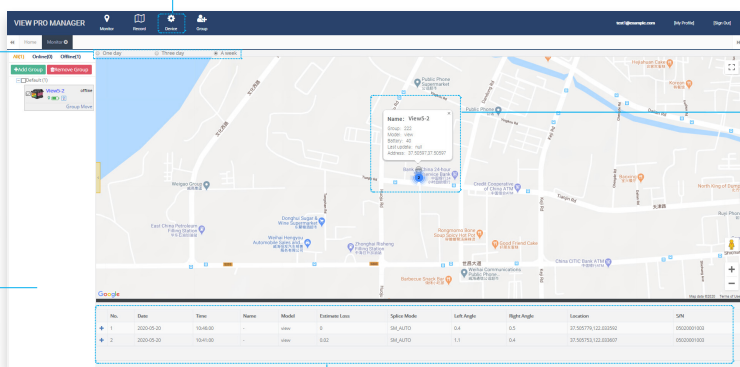
**view Pro**  
Job & Work Management

## DASHBOARD

**Job/Work Management**  
Share and manage job/work to maximize efficiency and productivity

**Device Management**  
Manage splicers' maintenance & service needs such as SW update, calibration, spare parts

**Pop-up Alerts/Messages**  
Automatic alerts and messages to indicate a machine's status



**Web/Cloud-Based Service**  
Accessible via PC with tiered access rights and authorities

**Real-time, Seamless Reporting**  
Splice results, locations, reports, and other data can be retrieved instantaneously

No.	Date	Time	Name	Market	Estimate Loss	Splice Mode	Left Angle	Right Angle	Location	SN
1	2020-09-20	16:48:00		view	0.0	SM_AUTO	0.4	0.0	23.307763, 122.022262	000000100
2	2020-09-20	16:48:00		view	0.0	SM_AUTO	1.1	0.4	23.307763, 122.022262	000000100

# TECHNICAL SPECIFICATIONS

## General Specifications

Items	Specifications
Model	VIEW5 PRO
Alignment Method	Core alignment
Number of fiber	Single
Applicable fibers	SM (ITU-T G.652&G.657) / MM (ITU-T G.651) / DS (ITU-T G.653) / NZDS (ITU-T G.655)
Cladding Diameter / Coating Diameter	100μm ~ 125μm / 200μm ~ 3mm
Cleaved Length	5 ~ 16mm
Typical Splice Loss*1	SM: 0.02dB / MM: 0.01dB / DS: 0.03dB / NZDS: 0.03dB / G.657: 0.02dB
Return Loss	>> 60dB
Estimated Splice Loss	Available
Splice Time*2	Quick mode : 9 sec (Avg.) / SM Auto mode : 11 sec (Avg.)
Splice Mode	Max 128 modes
Heating Sleeve	20 ~ 60mm
Heating Time*3	13 sec (45mm, slim 60mm) , 15 sec (60mm)
Heating Mode	Max 32 modes
Tension Test	1.96 ~ 2.25N
Dimension	149W x 177D x 151H mm (with rubber bumper) 130W x 166D x 140H mm (without rubber bumper)
Weight	2.21kg (with battery) / 1.85kg (without battery)
White LED	3 White LEDs
Monitor	5.0" Color LCD display, Full touch screen
Fiber View	X, Y, XY, X/Y
Magnification	320 ~ 520x
Results Storage	10,000 Splice data / 10,000 Splice image
Power Supply	AC Input 100 ~ 240V, DC Input 9 ~ 14V
Terminal	USB Type C / Nano SIM
Battery Capacity*4	LBT-52, Typical usage: 200 cycles / Power save usage : 250 cycles
Electrode Life*5	5500 arcs discharges
GPS	Available

## Environmental Condition

Items	Specifications
Operating Condition	Altitude: 0 ~ 5000m Humidity: 0 ~ 95%, non-dew Temperature: -10 ~ 50 °C Wind: up to 15m/sec
Storage Condition	Humidity: 0 ~ 95%, non-dew Temperature: -20 ~ 60 °C

## Environmental Test

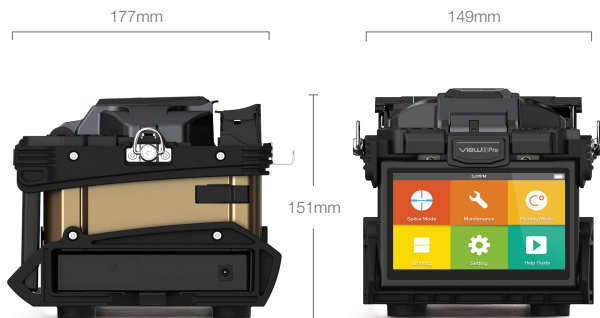
Items	Specifications
Water Resistance	IPx2
Shock Resistance	Drop from 76cm
Dust Resistance	IP5X



## Notes

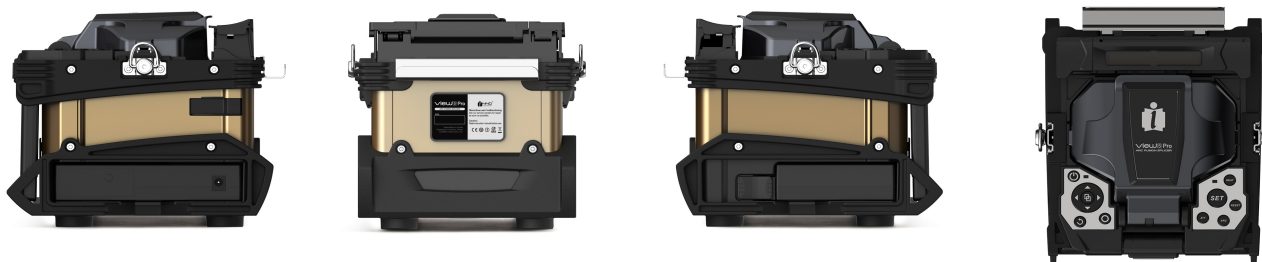
- \* 1: Measured by cut-back method relevant to ITU-T and IEC standards.
- \* 2: Measured at room temperature. Splice time may vary depending on the environmental conditions, fiber type, and fiber characteristics.
- \* 3: Measured at room temperature. Heating time changes depending on the environmental conditions, sleeve type and battery pack condition.
- \* 4: Test condition
  - (1) Splice and heat time : 2 minutes cycle ; (2) Using full charged battery ; (3) At room temperature.
  - Splice & Heat cycle can be varied depending on the battery status and operation and environment condition.
- \* 5: The electrode life changes depending on the environmental conditions, fiber type and splice modes.

## WEIGHT AND DIMENSIONS



Height: 5.95 inches (151 mm)  
 Width: 5.87 inches (149 mm)  
 Depth: 6.97 inches (177 mm)  
 Weight: 4.08 pounds (1.85 kg without battery)

### Detailed View



## PACKAGE

### Standard Package

Model / Part No.	Description	
	Main Unit	
VIEW5 PRO	Fusion Splicer	
	Standard Accessories	
V11	Cleaver	1ea
FH-45	Fiber Holder	1set
FH-SOC-R	SOC Holder	1ea
HTS-SOC-02	SOC Heater Cover	1ea
JS-180300	AC Adapter	1ea
CG-22	Cooling Tray	1ea
E-50	Electrode	1set
LBT-52	Battery Pack	1ea
ACC-25	Power Cable	1ea
USB-7P	USB Cable	1ea
ICC-55	Carrying Case	1ea
IWS-06	Work Tray	1ea
WTB-01	Work Tray Bolt (M6*8)	1ea
WTB-02	Work Tray Bolt (M6*14)	1ea
ST-01	Shoulder Strap	2ea
Quick Reference		1ea

\* USB-7P: Type-C USB to Type-A USB (Male & Female) Cable.

### Optional Accessories

Model / Part No.	Description	
TK02-AP01	Alcohol pump	1ea
TK02-MP01	Stripper	1ea
CJ-11	Cigarette Lighter Cable	1ea
EG-18	Electrode Grinder	1ea
PS-60S	Heating sleeve(60mm)	1pack(100ea)

### VIEW PRO MANAGEMENT SYSTEM

Items	Specifications
Web Site	<a href="http://www.inno-viewpro.com">www.inno-viewpro.com</a>

QR Code

