



0.5-33 GHz

Multi-Octave 2- and 4-Way Power Dividers

- Broadband Frequency Coverage from 0.5 to 33 GHz
- Excellent Phase and Amplitude Tracking
- Low Input VSWR
- High Isolation Between Output Ports
- Precision SMA or 2.92 mm Connectors

Specifications

FREQUENCY RANGE GHz	MODEL	BAND SEGMENT GHz	VSWR		INSERTION LOSS (max)	ISOLATION dB (min)	AMP BAL dB	PHASE BAL Degrees	AVERAGE* POWER Watts			WEIGHT	
			INPUT	OUTPUT					A	B	C	oz	gr
2-Way Power Dividers													
0.5-2.0	4321B-2	0.5-2.0	1.25	1.15	0.6	22	0.2	2.0	30	20	3	1.1	30
0.5-2.5	4322-2	0.5-2.5	1.35	1.15	0.3	18	0.2	2.0	30	10	1	2.0	55
0.8-2.2	4325-2	0.8-2.2	1.25	1.15	0.6	23	0.2	2.0	30	20	3	1.1	30
		2-8	4324-2	2-4	1.35	1.35	0.2	20	0.2	3.0	30	10	1
5-18	4326B-2	4-8	1.35	1.25	0.5	20	0.3	4.0	30	10	1	1.2	35
		5-12.4	1.35	1.30	0.35	19	0.2	3.0	30	10	1	0.7	20
2-18	4456-2	12.4-18	1.4	1.35	0.5	20	0.3	6.0	30	10	1	0.7	20
		2-8	1.3	1.25	0.5	20	0.2	3.0	30	10	1	1.4	38
1.7-26.5	4327C-2	8-18	1.4	1.4	1.2	19	0.3	6.0	30	10	1	1.4	38
		1.7-2	1.5:1	1.5:1	1.1	19	0.3	6.0	30	10	2	1.8	50
10-33	4328B-2 **	2-18	1.4:1	1.35:1	1.4	21	0.3	6.0	30	10	2	1.8	50
		18-26.5	1.7:1	1.5:1	2.4	16	0.5	10.0	30	10	2	1.8	50
10-33	4328B-2 **	10-18	1.5	1.5	1.5	15	0.5	6.0	30	10	1	0.8	22
		18-33	2.0	2.0	1.5	15	0.5	12.0	30	10	1	0.8	22

4-Way Power Dividers

0.5-2	4321C-4	0.5-2	1.45	1.30	1.3	20	0.3	4.0	30	10	1	2.9	80
0.5-2.5	4322-4	0.5-2.5	1.45	1.25	0.7	20	0.3	4.0	30	10	1	5.8	165
0.8-2.2	4325-4	0.8-2.2	1.25	1.20	0.9	22	0.3	3.0	30	10	1	2.9	80
2-8	4324-4	2-8	1.45	1.35	0.9	18	0.4	4.0	30	10	1	4.3	120
		5-18	4326B-4	5-6	1.60	1.40	0.5	18	0.3	3.0	30	10	1
2-18	4456-4	6-18	1.50	1.40	0.9	19	0.5	6.0	30	10	1	2.2	60
		2-8	1.40	1.40	1.0	20	0.4	6.0	30	10	1	4.3	120
2-18	4456-4	8-18	1.50	1.40	1.8	18	0.8	10.0	30	10	1	4.3	120

*Average Power Rating into a load VSWR of (A) 1.2 to 1, (B) 2 to 1 and (C) ∞VSWR

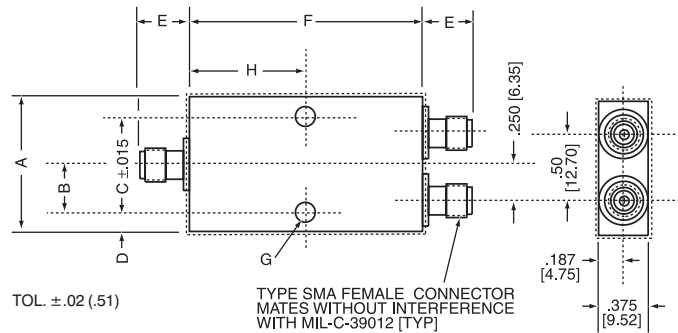
** Custom-order basis. Minimum quantity may apply.

Note: All models use precision SMA Female connectors, except Models 4327C-2 and 4328B-2 which use 2.92 mm Female type.

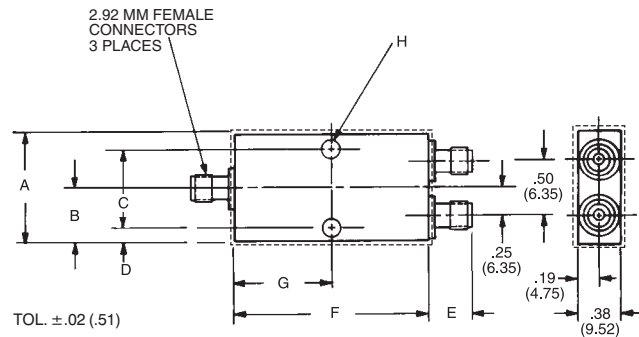
Power Dividers

50 Years of
Excellence

Outline Drawings - Multi-Octave 2-Way Power Dividers



MODEL	A	B	C $\pm .015$	D	E	F	G (Thru 2 Holes)	H
4321B-2	1.338 (33.98)	.669 (16.99)	1.146 (29.11)	.096 (2.44)	.375 (9.52)	1.204 (30.58)	.104 ^{+0.004} -.002 Dia.	.602 (15.29)
4322-2	1.70 (43.18)	.85 (21.59)	1.512 (32.40)	.09 (2.38)		1.56 (39.69)		.78 (19.84)
4324-2	1.000 (25.40)	.500 (12.70)	.812 (20.62)	.094 (2.39)		1.688 (42.87)		.844 (21.44)
4326B-2						.750 (19.05)		.375 (9.52)
4325-2	1.338 (33.98)	.669 (16.99)	1.146 (29.11)	.096 (2.44)		1.204 (30.58)		.602 (15.29)
4456-2	1.000 (25.40)	.500 (12.70)	.700 (17.78)	.150 (3.81)		1.750 (44.45)		.146 $\pm .003$ Dia. .875 (22.22)

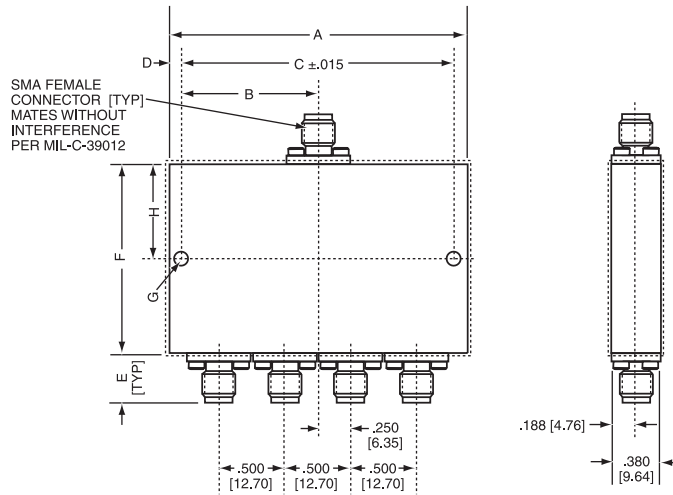


MODEL	A	B	C $\pm .015$	D	E	F	G	H 2 HOLES
4327C-2	1.00 (25.4)	.50 (12.7)	.700 (17.78)	.15 (3.81)	.38 (9.52)	2.00 (50.8)	1.00 (25.4)	$\varnothing .146 \pm .005$
4328B-2	1.00 (25.4)	.50 (12.7)	.812 (20.62)	.09 (2.39)	.38 (9.52)	.75 (19.05)	.38 (9.65)	$\varnothing .104$ ^{+0.004} -.002

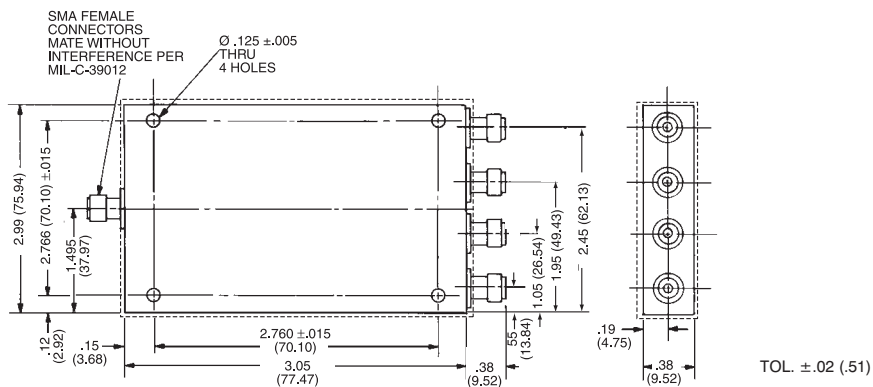
Allow .020 for sealant buildup per surface.

Dimensions in parentheses are in millimeters and for reference only.

Outline Drawings - Multi-Octave 4-Way Power Dividers



MODEL	A	B	C	D	E	F	G (Thru 2 Holes)	H
4321C-4	2.343 (59.51)	1.171 (29.74)	2.153 (54.68)	.095 (2.41)	.375 (9.52)	2.11 (53.62)	.104 ^{+0.004} _{-.002} Dia.	1.055 (26.79)
4324-4	1.940 (49.27)	.970 (24.63)	1.688 (42.87)	.126 (3.20)		3.448 (87.57)	.146 Dia.	1.724 (43.78)
4325-4	2.343 (59.51)	1.171 (29.74)	2.153 (54.68)	.095 (2.41)	.406 (10.31)	2.11 (53.62)	.104 ^{+0.004} _{-.002} Dia.	1.055 (26.79)
4326B-4	1.940 (49.27)	.970 (24.63)	1.688 (42.87)	.126 (3.20)	.375 (9.52)	1.418 (36.01)	.146 Dia.	.709 (18.00)
4456-4						3.448 (87.57)		1.724 (43.78)



MODEL 4322-4

Allow .020 for sealant buildup per surface.

Dimensions in parentheses are in millimeters and for reference only.