

↓ EP7235LD

► Materials

Features a high purity aluminum reflector, housing and heat sink; high strength tempered glass cover; high power LEDs; high efficiency imported LED driver.

► Application

City streets, pavements, squares, schools, parks, yards, residential areas, factories and any other places where lighting is needed.

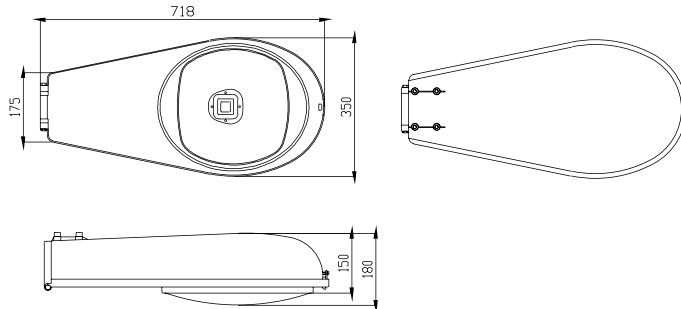
► Technical Specification

10~40 Power(W)	50Hz~60Hz Frequency(V)	AC85~265 DC12V/24 Operating Voltage(V)
80~110 Lighting Efficiency of LED(Lm/W)	>90% Power Supply Efficiency(%)	>0.98 Power Factor
>70 Color Rendering Index(Ra)	2700~7000 Color Temperature(K)	-40~55 Ambient Temperature(°C)
50,000 Life Span(hrs)	IP65 IP Rating(IP)	6.5 Weight(kg)

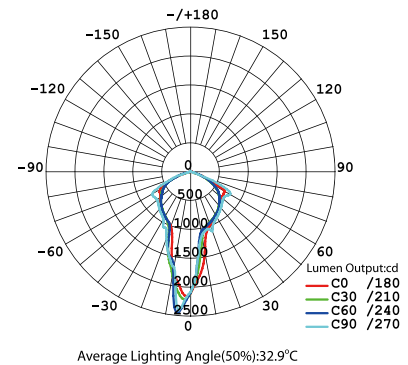


CE RoHS GS IP65

► Product Dimension



► Light Distribution Curve



► Horizontal Absolute Illumination Curve

